



List of Core values

Professional, Reliable, Efficient



We deliver safety and economy



Our special valves



With 20 years global market experience in Petroleum & Gasline & water treatment and 30 years in manufacture of valves , we constantly to win customers' satisfaction with the strong high quality ,reliable and effective design ,and professional technical support&service, and strongly hold lots of market shares in Europe and America.

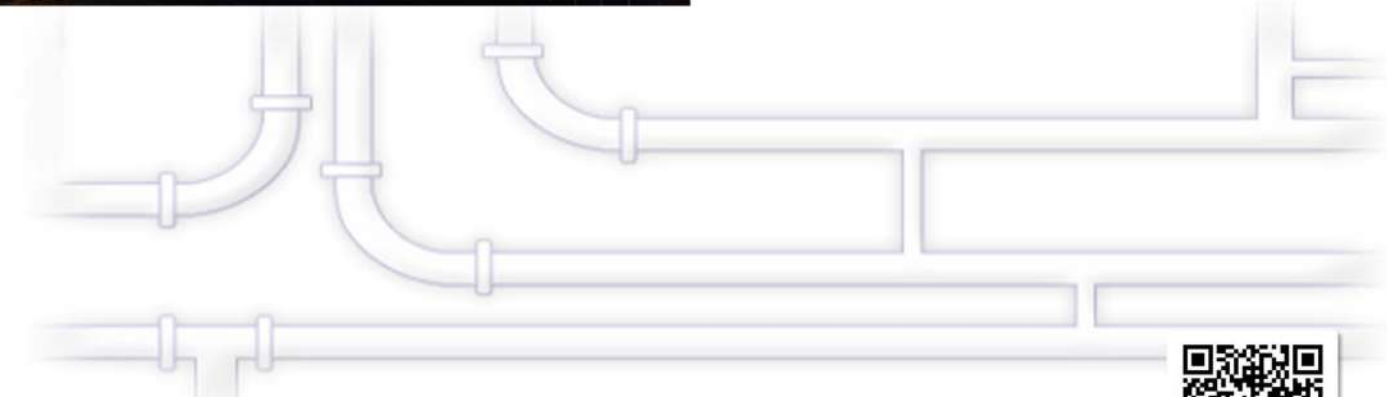
After several reorganizations inside, we've continually combined the resource for our strategy in product design and quality control to guarantee our strong foundation to grow business in the top market, we are on the way, and we will





Valves application

Valves serve a variety of purposes in the industrial, engineering, manufacturing and scientific communities. Selecting the right valve can determine the success or failure of the system or process. The main purpose of a valve is to control media flow through a system. The valve may be used to start, stop, or throttle the flow to ensure safe and efficient operation of the process.





Quality Control

Basic test;
PMI test
Mechanical properties test
Hydraulic test

Additional test
NDT test
Fugitive Emission test
Fire-proof test
Cryogenic leakage test
Spark test
Others



01

Ball Valves
Floating or trunnion design
Casting or forging materials
2 or 3 piece split body



02

Check Valves
Swing single disc or dual plate
Piston/lifting disc
Axial disc
Casting or forging materials



03

Gate Valves
Wedge disc type
slab disc type
parallel disc type
Casting or forging materials



Category



04

Butterfly Valves
concentric disc
double eccentric disc
triple eccentric disc
rubber seated or metal seated



05

Cryogenic Valves
Type ball/gate/globe/butterfly
Casting or forging in materials



06

Control Valves
Type globe/ball/gate/butterfly
Electric actuated
Pneumatic actuated
Electric or pneumatic Hydraulic actuated
On-off or modulating control
EQ% characteristic as normal





Sunny's Project in the past

OIL AND GAS
PETROCHEMICAL AND REFINING
MARINE
POWER GENERATION
MINING
WATER SUPPLY AND DRAINAGE
LNG AND LPG
THERMAL





S.N.	Project	Country	Content
1	Irrigation System	Ecuador	Butterfly valve, gate valve, check valve
2	Municipal water supply system	UK	Butterfly valve
3	Pump station	Venezuela	Ball valve, butterfly valve, gate valve, check valve, plug valve
4	Crude oil transportation	Venezuela	Ball valve, butterfly valve, gate valve, check valve, plug valve
5	Power Station	Abu Dhabi	Parallel gate valve
6	Power Station	Canada	Butterfly valve, dome valve
7	LNG storage	UK	Cryogenic ball valve, Cryogenic globe valve
8	Seawater desalination system	UAE	Butterfly valve, check valve
9	Refinery	Venezuela	Control gate valve, control globe valve, control ball valve
10	Oil transportation line	Russia	Slab gate valve, gate valve, plug valve
11	Seawater desalination system	Singapore	Butterfly valve, check valve
12	Petroleum chemical	Thailand	PTFE and PFA lined valve, DBB valve
13	Compressor system	Italy	Safety valve
14	Chemical material transportation	Thailand	Ball valve, control valve



CONCENTRIC BUTTERFLY VALVE CENTERLINE

WAFER AND LUG TYPE
REPLACEABLE OR VULCANIZED RUBBER SEAT
MODEL D71X

PHOTO SHOW (loose liner)



CUTAWAY DRAWING(loose liner)

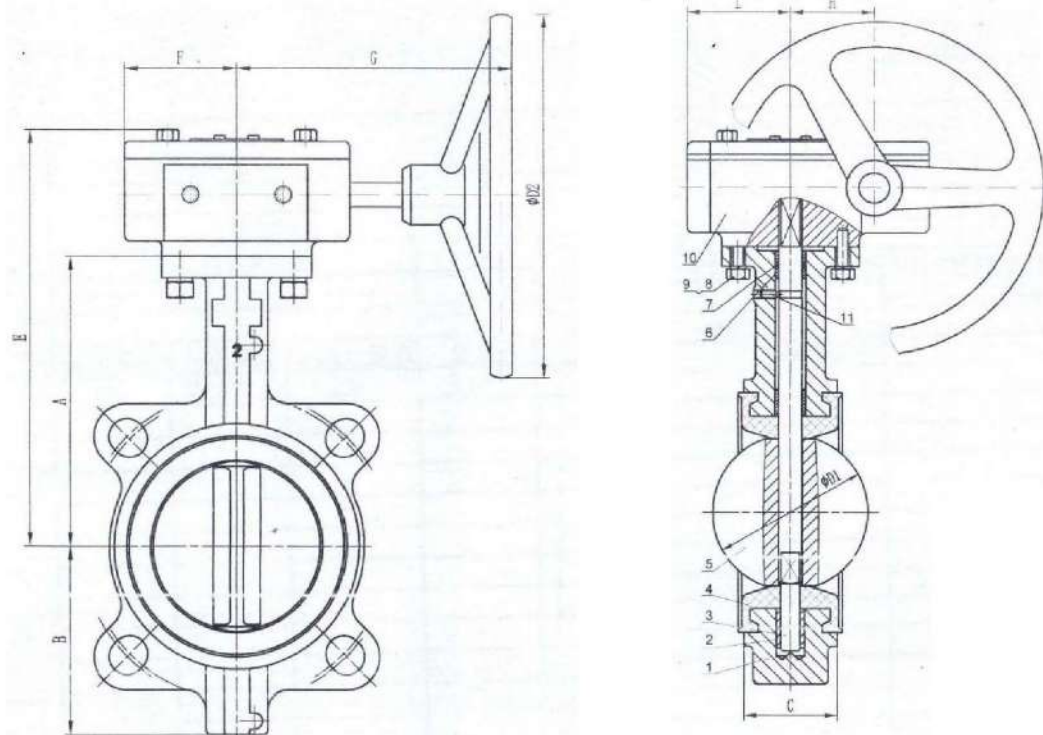


PHOTO SHOW (cartridge liner)



CUTAWAY DRAWING(cartridge liner)

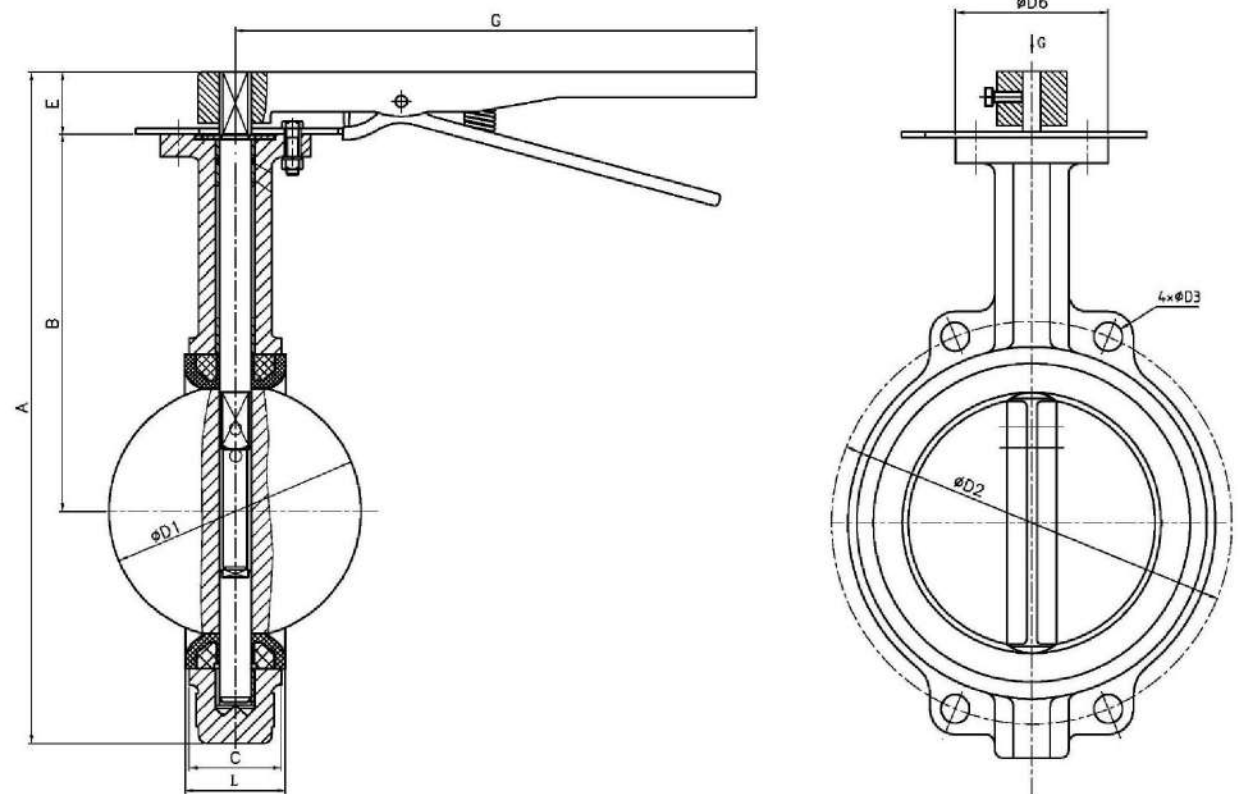
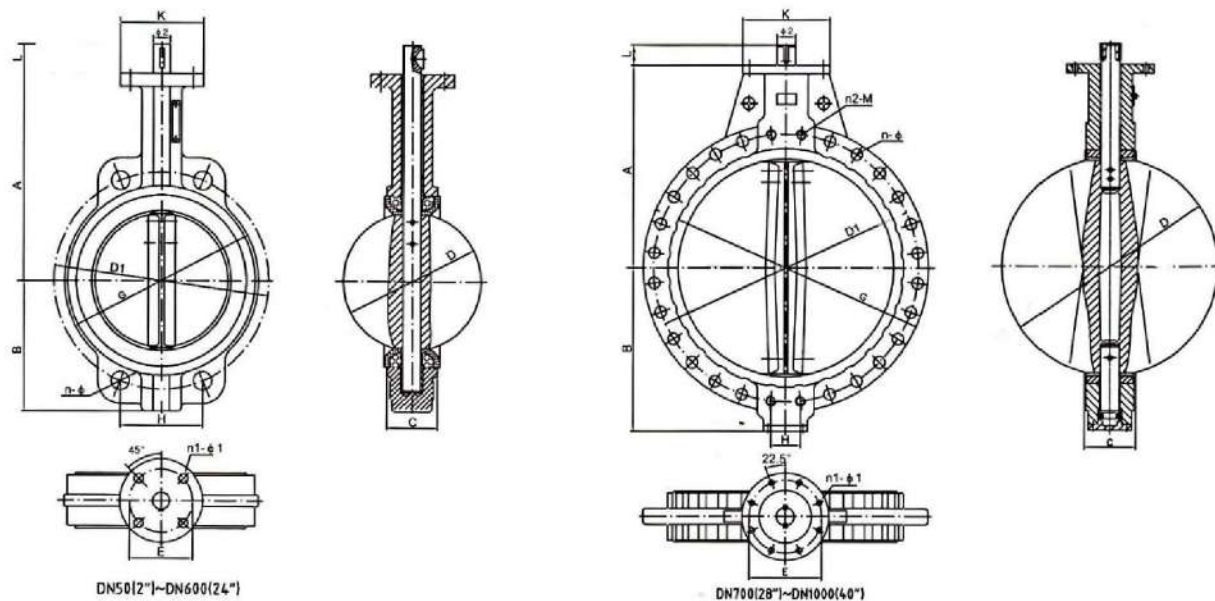




PHOTO SHOW (vulcanized liner)



CUTAWAY DRAWING(vulcanized liner)



FEATURES

- 1 Economical compact design,easy to maintain
- 2 Lower weight can be installed in any position.
- 3 Simple structure, quick on-off action,small torque required
- 4 Long service life
- 5 Flow characteristic quite close to linear, better modulating performance
- 6 Very good sealing in W.O.G
- 7 Best money saving option
- 8 Variety of design suit for full range of applications.

BRIEF DESCRIPTION

1	SIZE	1" and above	
2	DESIGN PRESSURE	up to 25 bar max.	
3	DESIGN TEMPERATURE	up to 120°C	
4	DESIGN CODE		
	Design and manufacture		API 609, EN593, AWWA C504, BS 5155
	Face to face dimension		API 609, ASME B16.10, EN558
	Ends		flanges in ASME B16.5&16.47 or EN1092, wafer or fully lugged
	Testing		API 598
	Others		Special-made is available
5	DUTY	Flow modulating or tight shut off	

MAIN PARTS MATERIALS

S.N.	PART NAME	COMMONLY USED					
1	BODY	CI	DI	SS	DSS	AL-BR	
2	DISC	DI	SS	DSS	AL-BR	MONEL	
3	SHAFT	SS	DSS	17-4PH	XM-19	AL-BR	MONEL
4	SEAT	NBR	EPDM	VITON	PTFE		

NOTE: DI disc normally comes with ENP plated, it could be coated with rubber or nylon or PTFE as well .

TYPICAL APPLICATIONS

- 1 Water supply and drainage
- 2 Petroleum and chemical
- 3 Food industry
- 4 Energy system
- 5 Thermal power station
- 6 Pump station system
- 7 Other W.O.G duty





CONCENTRIC BUTTERFLY VALVE CENTERLINE

DOUBLE FLANGE (U-SECTION)
RUBBER SEAT
MODEL D341X

PHOTO SHOW (double flange)



CUTAWAY DRAWING(double flange)

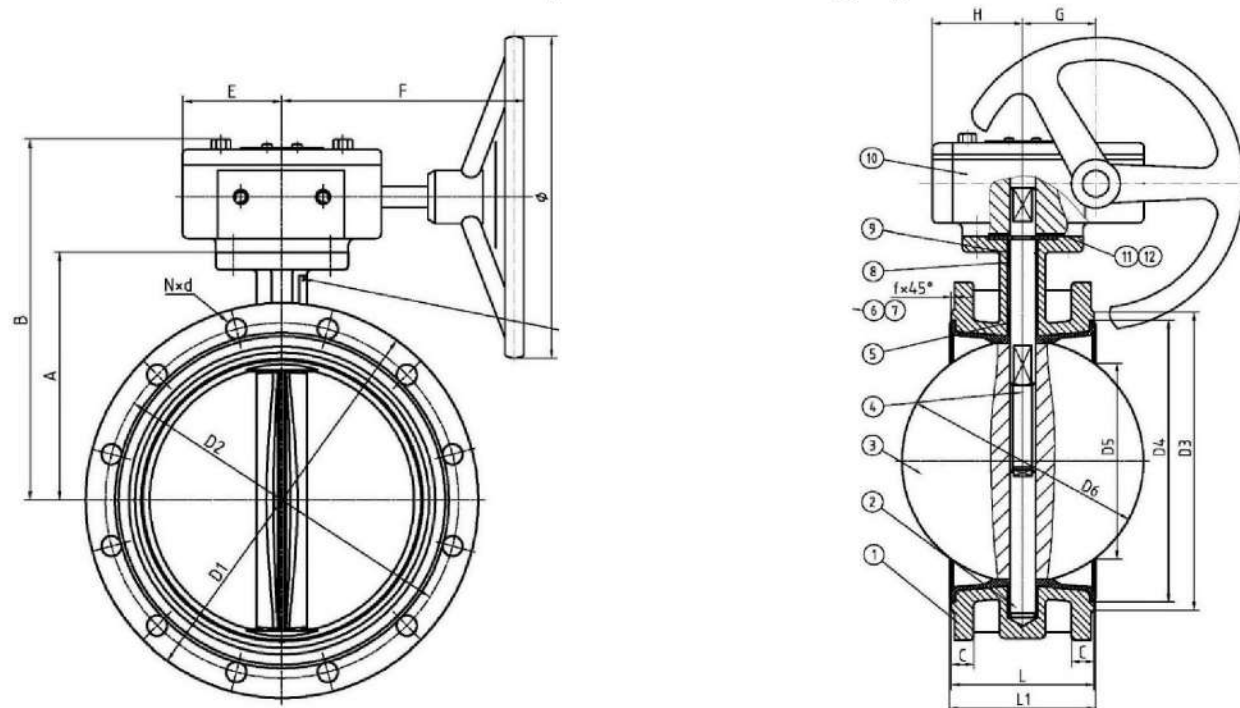
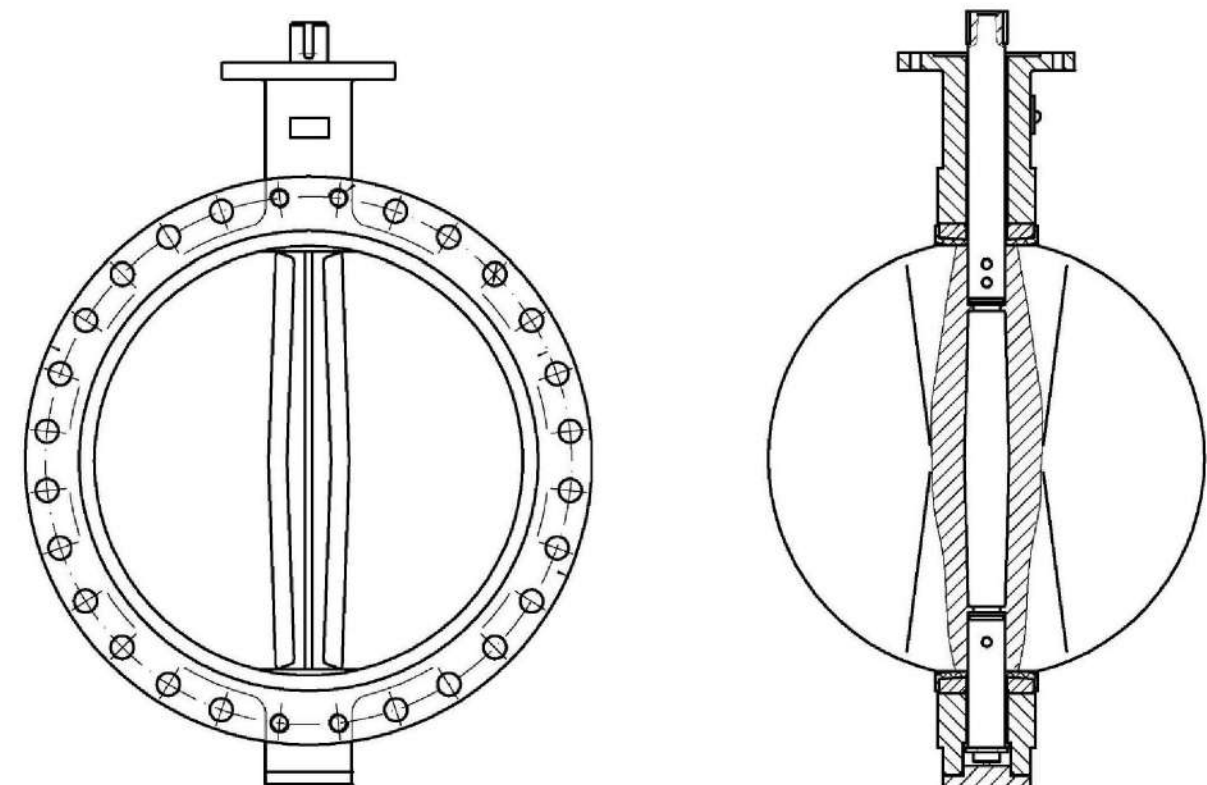


PHOTO SHOW (U-section double flange wafer)



CUTAWAY DRAWING(U-section double flange wafer)





FEATURES

- 1 Bidirectional seal
- 2 Vulcanized seat (U-section can be cartridge seat)
- 3 Installation at the end of pipeline is available.
- 4 Long service life
- 5 Concentric disc design asks for small operating torque
- 6 Very good sealing performance in W.O.G

BRIEF DESCRIPTION

- | | | | |
|---|--------------------|-----------------------------------|---------------------------------------|
| 1 | SIZE | 1" and above | |
| 2 | DESIGN PRESSURE | up to 25 bar max. | |
| 3 | DESIGN TEMPERATURE | up to 120°C | |
| 4 | DESIGN CODE | | |
| | | Design and manufacture | API 609, EN593, AWWA C504, BS 5155 |
| | | Face to face dimension | API 609, ASME B16.10, EN558 |
| | | Ends | Flanges in ASME B16.5&16.47 or EN1092 |
| | | Testing | API 598 |
| | | Others | Special-made is available |
| 5 | DUTY | Flow modulating or tight shut off | |

MAIN PARTS MATERIALS

S.N.	PART NAME	COMMONLY USED					
1	BODY	CI	DI	SS	DSS	AL-BR	
2	DISC	DI	SS	DSS	AL-BR	MONEL	
3	SHAFT	SS	DSS	17-4PH	XM-19	AL-BR	MONEL
4	SEAT	NBR	EPDM	VITON	PTFE		

NOTE: DI disc normally comes with ENP plated, it could be coated with rubber or nylon or PTFE as well .

TYPICAL APPLICATIONS

- 1 Water supply and drainage
- 2 Petroleum and chemical
- 3 Food industry
- 4 Energy system
- 5 Thermal power station
- 6 Pump station system
- 7 Other W.O.G duty





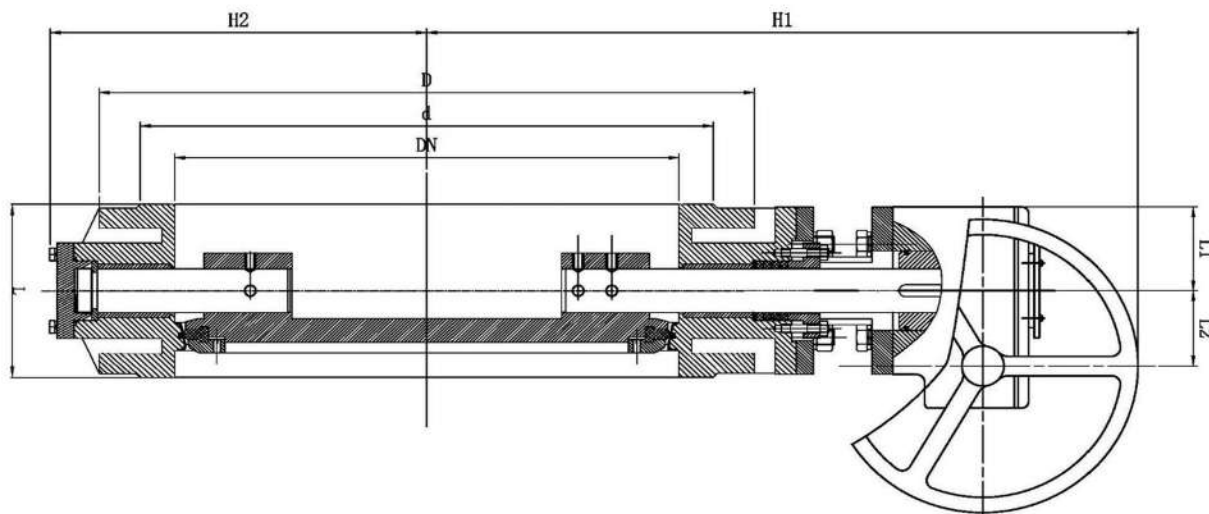
DOUBLE OFFSET BUTTERFLY VALVE

**U SECTION DOUBLE FLANGE WAFER TYPE
DOUBLE OFFSET RUBBER SEATED
MODEL D34A2X**

PHOTO SHOW



CUTAWAY DRAWING



FEATURES

- 1 Economical compact design, short pattern
- 2 Double offset trims, rubber seated
- 3 Replaceable trims
- 4 Weight light, Easy disassembly to maintain
- 5 High performance, safety and reliability
- 6 Long service life
- 7 Two mounting methods, wafer and double flange
- 8 Low maintenance cost

BRIEF DESCRIPTION

- | | | | |
|---|--------------------|-----------------------------------|---|
| 1 | SIZE | 10" and above | |
| 2 | DESIGN PRESSURE | up to 25 bar max. | |
| 3 | DESIGN TEMPERATURE | 0~80°C | |
| 4 | DESIGN CODE | | |
| | | Design and manufacture | API 609, AWWA C504, BS |
| | | Face to face dimension | API 609, BS 5155 |
| | | Ends | Wafer, flanges in ASME
B16.5&16.47 or EN1092 |
| | | Testing | API 598 |
| | | Others | Special-made is available |
| 5 | DUTY | Flow modulating or tight shut off | |

MAIN PARTS MATERIALS

S.N.	PART NAME	COMMONLY USED					
		CI	WCB+NYLON	DI	SS/DSS	AL-BR	
1	BODY	CI	WCB+NYLON	DI	SS/DSS	AL-BR	
2	DISC	DI	WCB+NYLON	SS/DSS	AL-BR	MONEL	
3	SHAFT	SS	DSS	17-4PN	XM-19	AL-BR	MONEL
4	SEAT	NBR	EPDM	VITON			

TYPICAL APPLICATIONS

- 1 Water supply and drainage
- 2 Petroleum and chemical
- 3 Food industry
- 4 Energy system
- 5 Waste gas
- 6 Pump station system
- 7 Other W.O.G duty





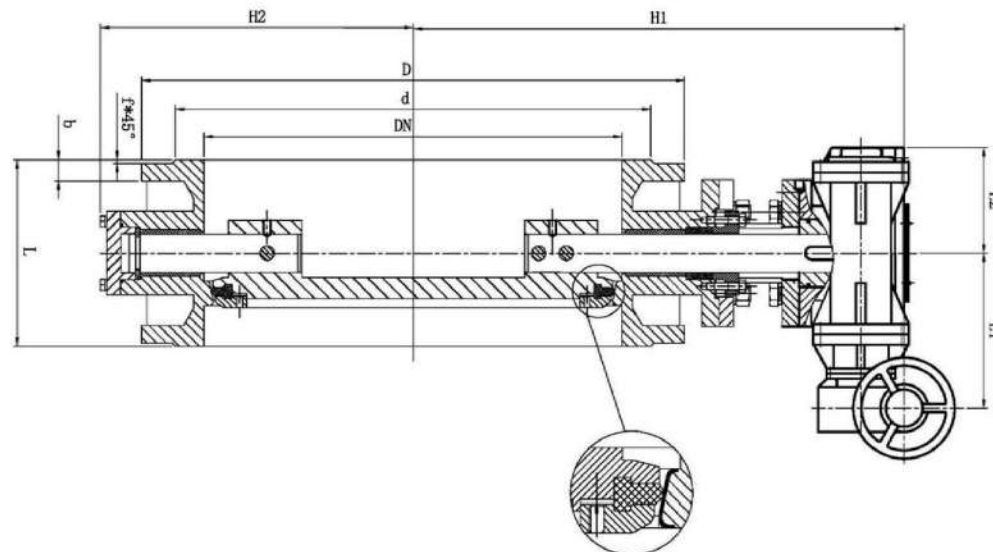
DOUBLE OFFSET BUTTERFLY VALVE

DOUBLE FLANGE TYPE DOUBLE OFFSET RUBBER SEATED MODEL D34B2X

PHOTO SHOW



CUTAWAY DRAWING



FEATURES

- 1 Strong heavy design
- 2 Double offset trims, rubber seated
- 3 Replaceable trims
- 4 Easy disassembly to maintain
- 5 High performance, safety and reliability
- 6 Long service life
- 7 Low maintenance cost

BRIEF DESCRIPTION

1	SIZE	8" and above	
2	DESIGN PRESSURE	up to 25 bar max.	
3	DESIGN TEMPERATURE	0~80°C	
4	DESIGN CODE		
		Design and manufacture	API 609, AWWA C504, BS
		Face to face dimension	API 609, BS 5155, EN558 series 13 & 14, ASME B16.10
		Ends	Flanges in ASME B16.5&16.47 or EN1092
		Testing	API 598
		Others	Special-made is available
5	DUTY	Flow modulating or tight shut off	

MAIN PARTS MATERIALS

S.N.	PART NAME	COMMONLY USED					
		CI	DI	WCB+NYLON	SS/DSS	AL-BR	
1	BODY	CI	DI	WCB+NYLON	SS/DSS	AL-BR	
2	DISC	DI	WCB+NYLON	SS/DSS	AL-BR	MONEL	
3	SHAFT	SS	DSS	17-4PN	XM-19	AL-BR	MONEL
4	SEAT	NBR	EPDM	VITON			

TYPICAL APPLICATIONS

- 1 Water supply and drainage
- 2 Petroleum and chemical
- 3 Food industry
- 4 Energy system
- 5 Waste gas
- 6 Pump station system
- 7 Other W.O.G duty



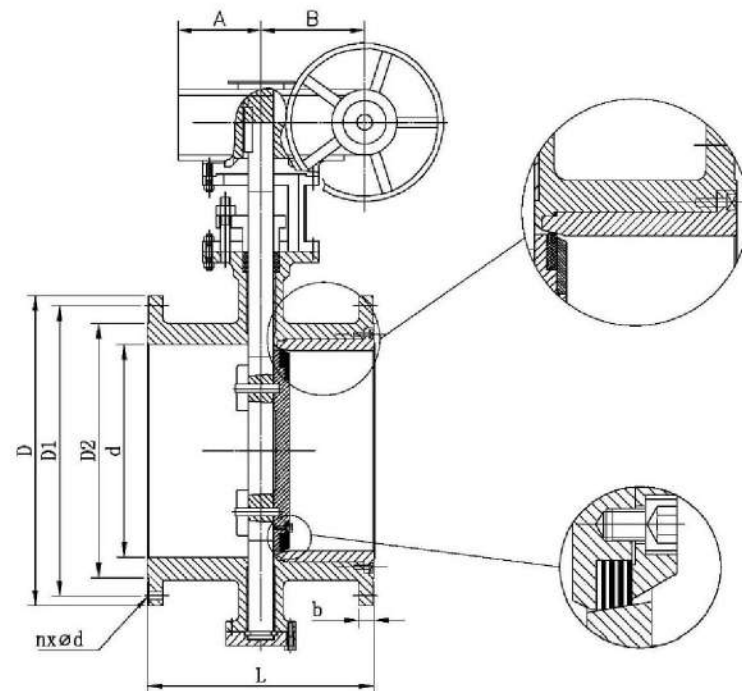


TRIPLE OFFSET BUTTERFLY VALVE

DOUBLE FLANGE TYPE REPLACEABLE METAL SEATED MODEL D343Y



CUTAWAY



FEATURES

- 1 Strong heavy design
- 2 Triple offset trims replaceable
- 3 Split replaceable metal seat
- 4 Easy disassembly to maintain
- 5 High performance, safety and reliability
- 6 Long service life
- 7 Low maintenance cost
- 8 Especially suit for thermal duty

BRIEF DESCRIPTION

1	SIZE	8" and above	
2	DESIGN PRESSURE	up to 100 bar max.	
3	DESIGN TEMPERATURE	up to 1200°C	
4	DESIGN CODE		Design and manufacture API 609, EN593 Face to face dimension API 609, ASME B16.10, EN558 Ends Flanges in ASME B16.5&16.47 or EN1092
5	DUTY	Flow modulating or tight shut off	Testing API 598 Others Special-made is available

MAIN PARTS MATERIALS

S.N.	PART NAME	COMMONLY USED					
1	BODY	WCB	WCC	WC6	WC9	C5	C12A
2	DISC	WCB	WCC	WC6	WC9	C5	C12A
3	SHAFT	17-4PH	XM-19	INCONEL	INCOLOY	HASTELLOY	MONEL
4	SEAT	STELLITE HF					

TYPICAL APPLICATIONS

- 1 Water supply and drainage
- 2 Petroleum and chemical
- 3 Food industry
- 4 Energy system
- 5 Thermal power station
- 6 Pump station system
- 7 Other thermal duty





DUO PLATE CHECK VALVE

WAFER OR DOUBLE FLANGE TYPE
RUBBER SEATED
MODEL H7(4)6X

FEATURES

- 1 Economical compact design
- 2 Dual plates swing type
- 3 Rubber seated
- 4 Weight light
- 5 High performance,safety and reliability
- 6 Low flow resistance
- 7 Single direction, non-return

BRIEF DESCRIPTION

- | | | |
|---|--------------------|--|
| 1 | SIZE | 2"-24" as normal, special-made is available |
| 2 | DESIGN PRESSURE | up to 25 bar max. |
| 3 | DESIGN TEMPERATURE | 0~80°C |
| 4 | DESIGN CODE | Design and manufacture API 594, AWWA C508, MSS SP-71, EN 12334
Face to face dimension API 594, API 609
Ends Wafer, mounting between flanges in ASME B16.5 or EN1092
Testing API 598
Others Special-made is available |
| 5 | DUTY | Flow non return, single direction |

MAIN PARTS MATERIALS

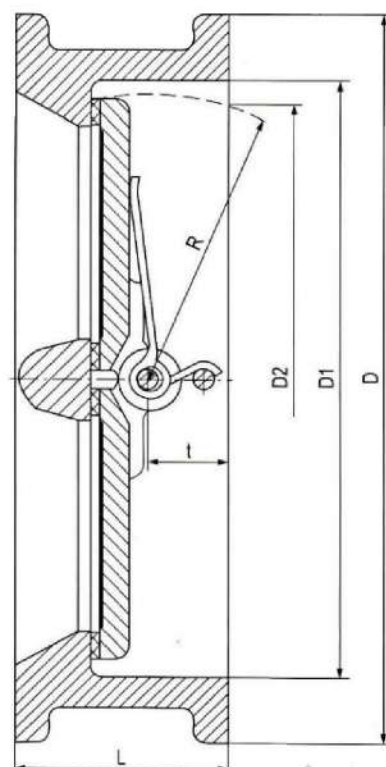
S.N.	PART NAME	COMMONLY USED					
1	BODY	CI	DI	SS/DSS	AL-BR		
2	DISC	DI	SS/DSS	AL-BR			
3	SHAFT	SS	DSS	AL-BR	MONEL		
4	SPRING	SS	INCONEL				
5	SEAT	NBR	EPDM	VITON			

TYPICAL APPLICATIONS

- 1 Water supply and drainage
- 2 Petroleum and chemical
- 3 Food industry
- 4 Energy system
- 5 Waste gas
- 6 Pump station system



CUTAWAY DRAWING



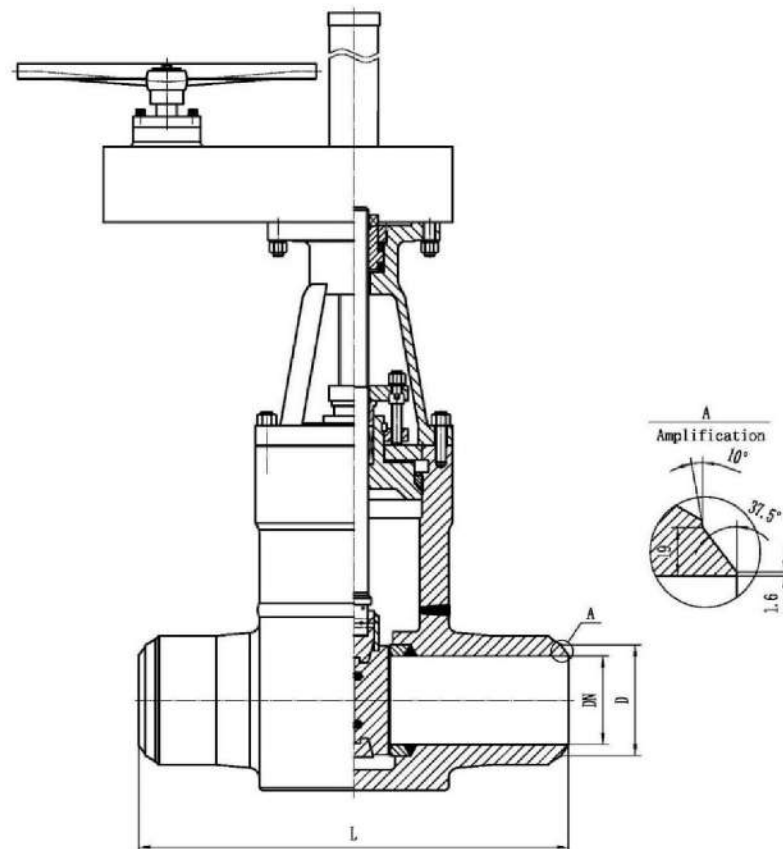


PARALLEL GATE VALVE

**DOUBLE FLANGE OR BW TYPE
HARD FACED METAL SEAT
MODEL Z464Y**



CUTAWAY



FEATURES

- 1 Strong heavy forged design
- 2 Parallel discs, bidirectional seal
- 3 Suitable for thermal duty
- 4 Suitable for powder medium
- 5 Perfect discs design avoid of being blocked when temper climbing.
- 6 High performance,safety and reliability
- 7 Super long service life

BRIEF DESCRIPTION

- | | | | |
|---|--------------------|------------------------|-----------------------------|
| 1 | SIZE | 2" and above | |
| 2 | DESIGN PRESSURE | up to 4500LB | |
| 3 | DESIGN TEMPERATURE | up to 1200 °C | |
| 4 | DESIGN CODE | | |
| | | Design and manufacture | API 6D, ASME B16.34 |
| | | Face to face dimension | API 6D, ASME B16.10, EN 558 |
| | | Ends | Flange or BW |
| | | Testing | API 598 |
| | | Others | Special-made is available |
| 5 | DUTY | On off | |

MAIN PARTS MATERIALS

S.N.	PART NAME	COMMONLY USED					
1	BODY	WCB	WCC	WC6	WC9	C5	C12A
2	DISC	WCB	WCC	WC6	WC9	C5	C12A
3	SHAFT	17-4PH	XM-19	INCONEL	INCOLOY	HASTELLO	MONEL
4	SPRING	INCONEL					
5	SEAT	STELLITE	TCC				

TYPICAL APPLICATIONS

- 1 High temper steam duty
- 2 Boiler system
- 3 Power station
- 4 Refinery
- 5 Steel company
- 6 Other thermal duty





WEDGE GATE VALVE

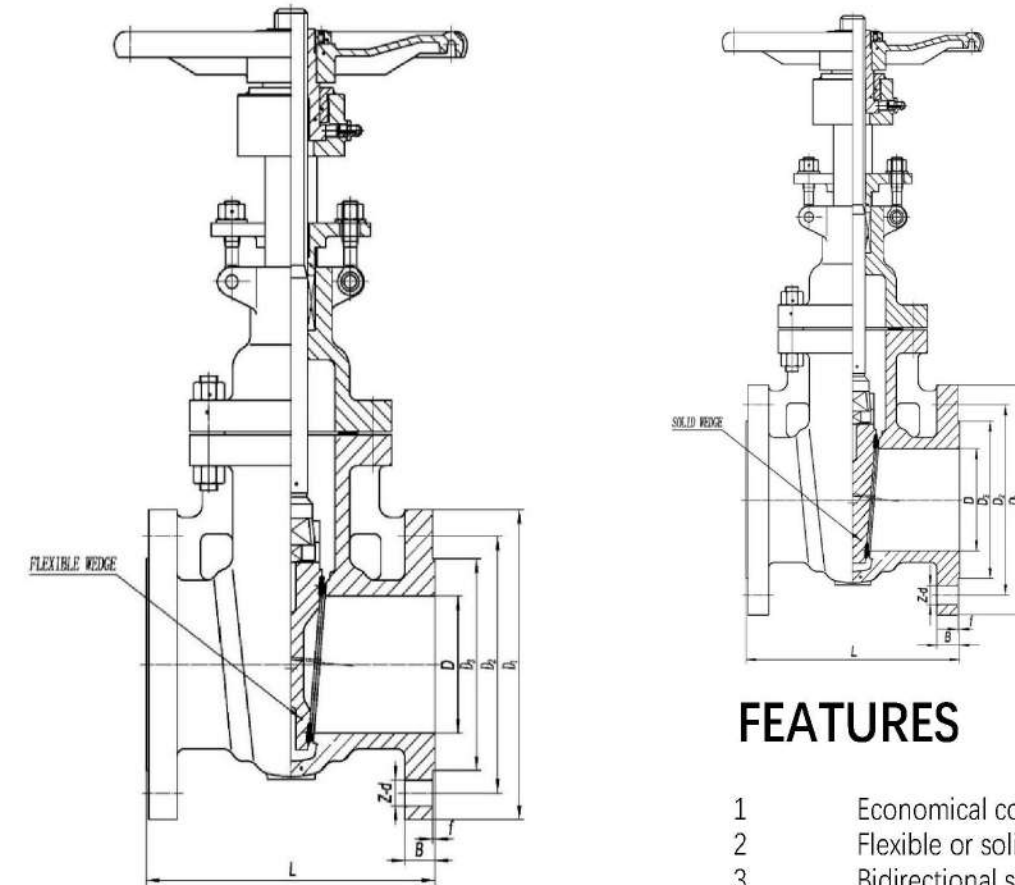
DOUBLE FLANGE OR BW TYPE
HARD FACED METAL SEAT
MODEL Z41H/W/Y



TYPICAL APPLICATIONS

- 1 Crude oil pipeline
- 2 Pump station
- 3 Waste processing gas
- 4 Other W.O.G duty

CUTAWAY DRAWING



FEATURES

- 1 Economical compact design
- 2 Flexible or solid wedge disc
- 3 Bidirectional seal
- 4 Integral seats or replaceable welded seats
- 5 BB, OS&Y, RS
- 6 High performance, safety and reliability
- 7 Long service life

BRIEF DESCRIPTION

1	SIZE	2" and above	
2	DESIGN PRESSURE	up to 4500LB	
3	DESIGN TEMPERATURE	up to 1200 °C	
4	DESIGN CODE	Design and manufacture Face to face dimension Ends Testing Others	API 6D, API 600 API 6D, ASME B16.10, EN 558 Flange or BW API 598, API 6D Special-made is available
5	DUTY	On off	

MAIN PARTS MATERIALS

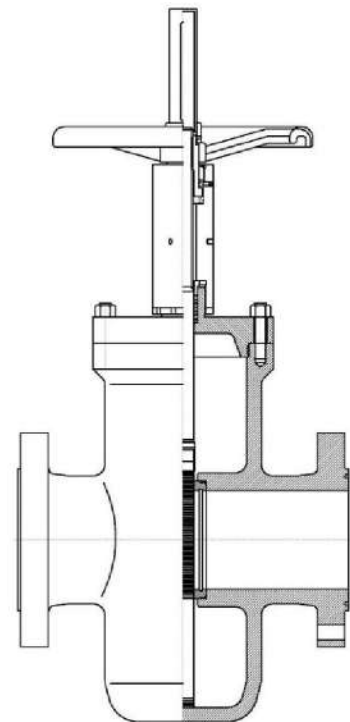
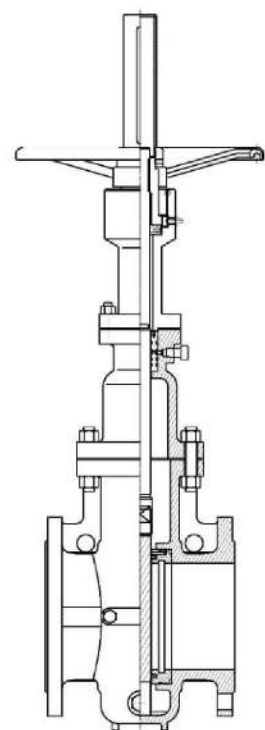
S.N.	PART NAME	COMMONLY USED					
1	BODY	WCB	LCC	SS	DSS	BRONZE	
2	DISC	WCB	LCC	SS	DSS	BRONZE	
3	SHAFT	F6A	F304	F316			
4	SEAT	STELLITE	TCC				





SLAB GATE VALVE

**THROUGH CONDUIT DESIGN
HARD FACED METAL SEAT
MODEL Z43F/Y**



FEATURES

- 1 Strong heavy forged design
- 2 Parallel discs, bidirectional seal
- 3 Suitable for thermal duty
- 4 Suitable for powder medium
- 5 Perfect discs design avoid of being blocked when temper climbing.
- 6 High performance,safety and reliability
- 7 Super long service life

BRIEF DESCRIPTION

- | | | | |
|---|--------------------|------------------------|-----------------------------|
| 1 | SIZE | 2" and above | |
| 2 | DESIGN PRESSURE | up to 4500LB | |
| 3 | DESIGN TEMPERATURE | up to 1200 °C | |
| 4 | DESIGN CODE | | |
| | | Design and manufacture | API 6D, ASME B16.34 |
| | | Face to face dimension | API 6D, ASME B16.10, EN 558 |
| | | Ends | Flange or BW |
| | | Testing | API 598 |
| | | Others | Special-made is available |
| 5 | DUTY | On off | |

MAIN PARTS MATERIALS

S.N.	PART NAME	COMMONLY USED					
		WCB	WCC	WC6	WC9	C5	C12A
1	BODY	WCB	WCC	WC6	WC9	C5	C12A
2	DISC	WCB	WCC	WC6	WC9	C5	C12A
3	SHAFT	17-4PH	XM-19	INCONEL	INCOLOY	HASTELLO	MONEL
4	SPRING	INCONEL					
5	SEAT	STELLITE	TCC				

TYPICAL APPLICATIONS

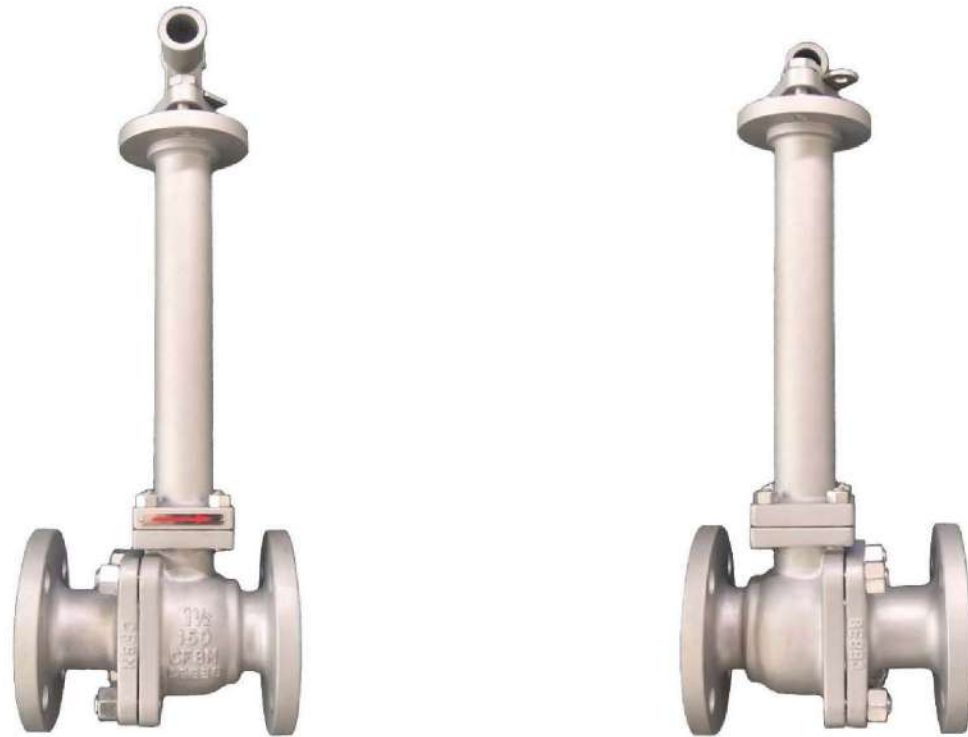
- 1 High temper steam duty
- 2 Boiler system
- 3 Power station
- 4 Refinery
- 5 Steel company
- 6 Other thermal duty



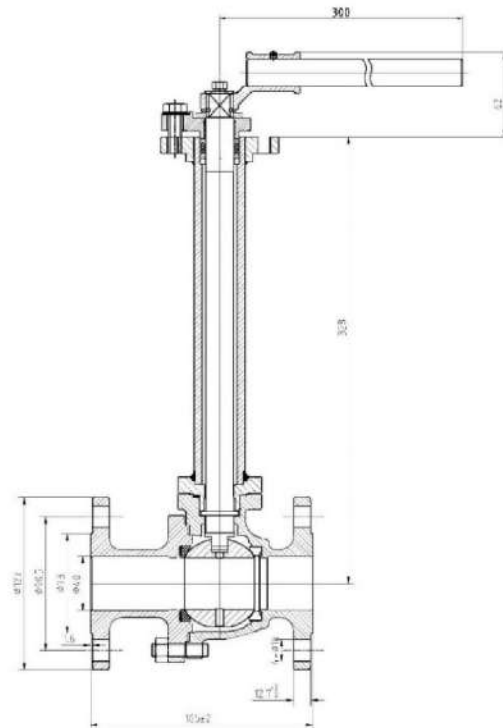


CRYOGENIC BALL VALVE

FLANGE OR BW TYPE
FLOATING BALL DESIGN
MODEL DQ41F



CUTAWAY DRAWING



FEATURES

- 1 Floating ball, extended bonnet
- 2 Fire proof and antistatic design
- 3 Anti-blow out stem design
- 4 Lockable operator for safety
- 5 Cavity relief design
- 6 Single direction or bi-direction seal
- 7 Economical compact design
- 8 Weight light, installation easy
- 9 High performance,safety and reliability
- 10 Low operating torque

BRIEF DESCRIPTION

1	SIZE	1/8" -8" as normal	
2	DESIGN PRESSURE	150LB and above	
3	DESIGN TEMPERATURE	-196°C	
4	DESIGN CODE	Design and manufacture Face to face dimension Ends Testing Others	BS 6364 API 6D, ASME B16.10 , EN 558 ASME B16.5 or EN1092 API 598 , BS 6364 Special-made is available
5	DUTY	Flow tight shut off	

MAIN PARTS MATERIALS

S.N.	PART NAME	COMMONLY USED					
1	BODY	CF8	CF8M	CF3	CF3M		
2	BALL	F304	F316	F304L	F316L		
3	SHAFT	F304	F316	F304L	F316L	XM-19	
4	SPRING	SS	X-750				
5	SEAT	PCTFE	PEEK	METAL HF			

TYPICAL APPLICATIONS

- 1 LNG,LPG PIPELINE OR STORAGE TANK
- 2 LIQUID CO2 FOR FOOD INDUSTRY
- 3 LIQUID N2 STORAGE TANK
- 4 OTHER SUPER CRYOGENIC FACILITIES





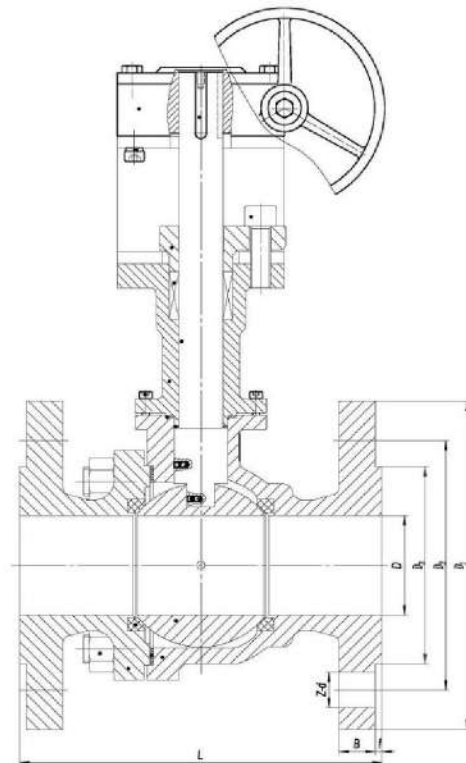
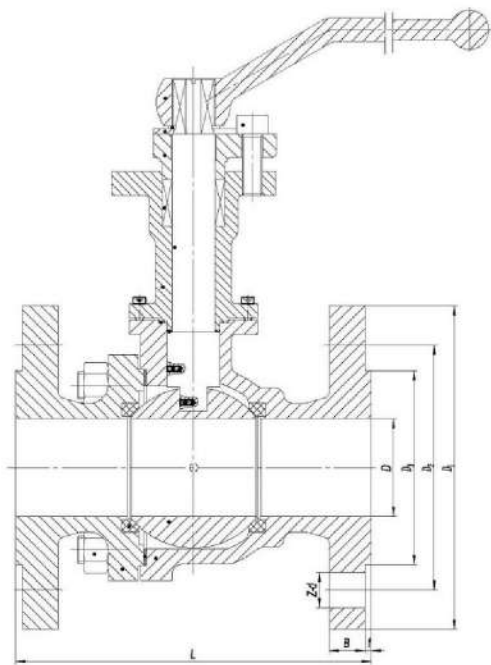
FLOATING BALL VALVE

2 or 3 PIECE SPLIT BODY
SOFT SEAT OR METAL SEAT
MODEL Q41F/Y

PHOTO SHOW



CUTAWAY DRAWING



FEATURES

- 1 Cast or forged body
- 2 2 piece split design is economical, 3 piece split design is easy to maintain.
- 3 Bidirectional seal
- 4 Floating ball
- 5 Fire proof, antistatic, anti-blow out stem
- 6 High performance,safety and reliability
- 7 Soft seat or metal seat
- 8 Long service life

BRIEF DESCRIPTION

- | | | | |
|---|--------------------|------------------------|------------------------------|
| 1 | SIZE | 1/8"~8" | |
| 2 | DESIGN PRESSURE | up to 4500LB | |
| 3 | DESIGN TEMPERATURE | -196 °C and above | |
| 4 | DESIGN CODE | | |
| | | Design and manufacture | API 6D, ASME B16.34, API 608 |
| | | Face to face dimension | API 6D, ASME B16.10, EN 558 |
| | | Ends | Flange or BW or SW or NPT |
| | | Testing | API 598 , API 6D |
| | | Others | Special-made is available |
| 5 | DUTY | On off or modulating | |

MAIN PARTS MATERIALS

S.N.	PART NAME	COMMONLY USED					
		WCB	A105	304SS	316SS	ALLOY	
1	BODY						
2	BALL	A105	F6	F304	F316	ALLOY	
3	STEM AND TRUNNION	F6	F316	17-4PH	MONEL		
4	SPRING	X-750					
5	SEAT	A105	F6	F304	F316	ALLOY	
6	SEAT INSERT	PTFE	DEVLON	NYLON	PCTFE	PEEK	METAL HF

TYPICAL APPLICATIONS

- 1 Crude oil pipeline
- 2 Nature gas pipeline
- 3 Petroleum and chemical facilities
- 4 Refinery
- 5 Steel company
- 6 Other W.O.G duty



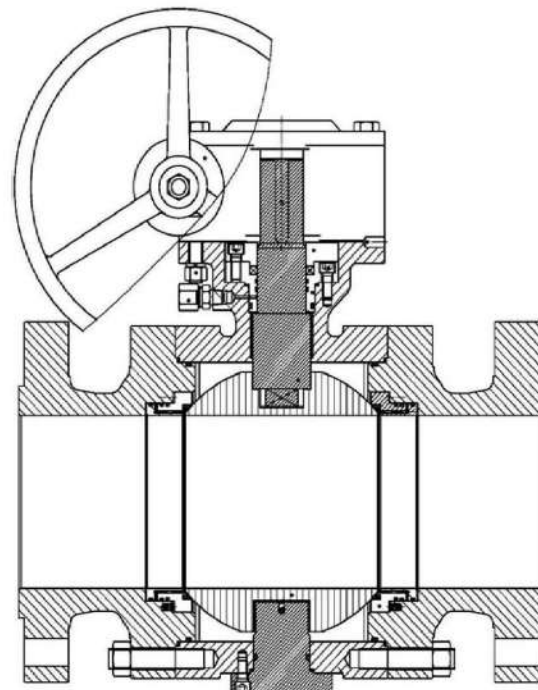


TRUNNION BALL VALVE

**2 PIECE OR 3 PIECE SPLIT BODY
SOFT SEAT OR METAL SEAT
MODEL Q47F/Y**



DRAWING



FEATURES

- 1 Cast or forged body
- 2 2 piece or 3 piece split design
- 3 Bidirectional seal
- 4 Double block and bleed, trunnion design
- 5 Fire proof, antistatic, anti-blow out stem
- 6 High performance, safety and reliability
- 7 Soft seat or metal seat
- 8 Long service life

BRIEF DESCRIPTION

- | | | | |
|---|--------------------|------------------------|------------------------------|
| 1 | SIZE | 2" and above | |
| 2 | DESIGN PRESSURE | up to 4500LB | |
| 3 | DESIGN TEMPERATURE | up to 1200 °C | |
| 4 | DESIGN CODE | | |
| | | Design and manufacture | API 6D, ASME B16.34, API 608 |
| | | Face to face dimension | API 6D, ASME B16.10, EN 558 |
| | | Ends | Flange or BW |
| | | Testing | API 598 , API 6D |
| | | Others | Special-made is available |
| 5 | DUTY | On off or modulating | |

MAIN PARTS MATERIALS

S.N.	PART NAME	COMMONLY USED					
1	BODY	WCB	A105	304SS	316SS	ALLOY	
2	BALL	A105	F6	F304	F316	ALLOY	
3	STEM AND TRUNNION	F6	F316	17-4PH	MONEL		
4	SPRING	X-750					
5	SEAT	A105	F6	F304	F316	ALLOY	
6	SEAT INSERT	PTFE	DEVLON	NYLON	PCTFE	PEEK	METAL HF

TYPICAL APPLICATIONS

- 1 Crude oil pipeline
- 2 Nature gas pipeline
- 3 Petroleum and chemical facilities
- 4 Refinery
- 5 Steel company
- 6 Other W.O.G duty





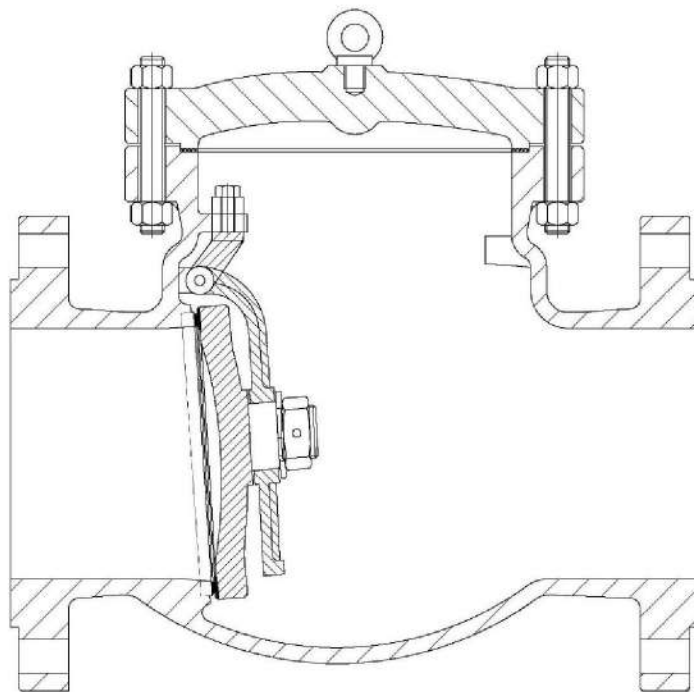
SWING CHECK VALVE

DOUBLE FLANGE TYPE
METAL OR RUBBER SEATED
MODEL H44X/H/W/Y

PHOTO SHOW



CUTAWAY DRAWING



FEATURES

- 1 Economical compact design
- 2 Swing disc completely open
- 3 Rubber or metal seat
- 4 Simple structure, easy to maintain
- 5 High performance, safety and reliability
- 6 Single direction, non-return
- 7 Long service life

BRIEF DESCRIPTION

1	SIZE	2" and above	
2	DESIGN PRESSURE	up to 4500LB max.	
3	DESIGN TEMPERATURE	Up to 1200 °C	
4	DESIGN CODE		
		Design and manufacture	API 594, API 6D, AWWA C508, MSS SP-71, EN 12334
		Face to face dimension	API 594
		Ends	Flanges in ASME B16.5 or
		Testing	API 598
		Others	Special-made is available
5	DUTY	Flow non return, single direction	

MAIN PARTS MATERIALS

S.N.	PART NAME	COMMONLY USED					
		CI	DI	SS/DSS	AL-BR	ALLOY	
1	BODY						
2	DISC						
3	SHAFT						
4	SPRING						
5	SEAT	RUBBER	13CR	SS/DSS	BRONZE	ALLOY	

TYPICAL APPLICATIONS

- 1 Water supply and drainage system
- 2 Petroleum and chemical industry
- 3 Food industry
- 4 Energy system
- 5 Waste processing gas
- 6 Pump station system
- 7 Other W.O.G applications



Sunny Steel

This approach coupled with quality manufacturing processes, well-qualified, trained and competent personnel has enabled us to offer a more comprehensive range of vales from a single source.

E-mail: sales@sunnysteel.com, Technical support (24hours): +86-21-3378 0199

www.sunnysteel.com

